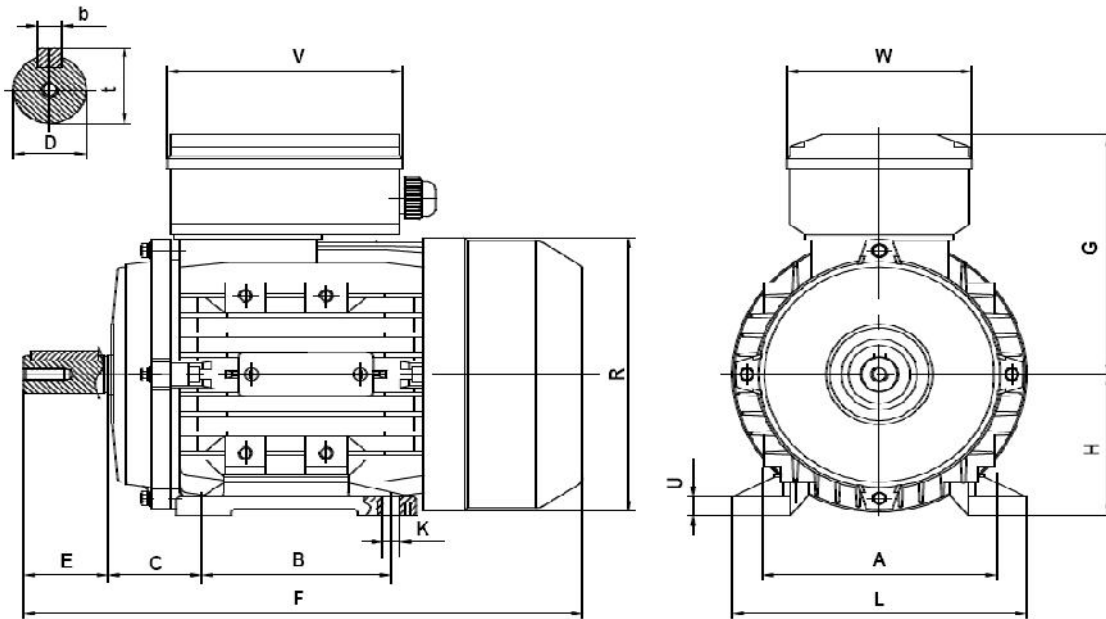
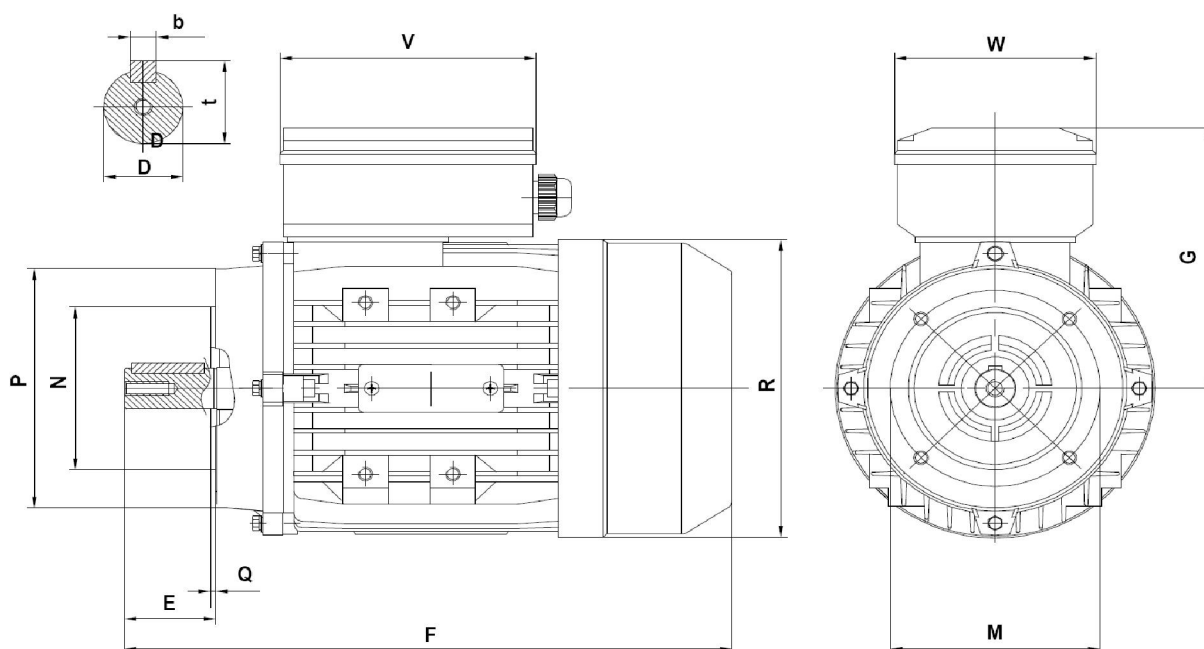


Wymiary montażowo - gabarytowe B3



| Typ silnika | Wymiary mm | | | | | | | | | | | | | | | | | |
|-------------|------------|-----|----|-------|----|-----|-----|-----|------|-----|-----|-----|----|----|-----|-----|----|------|
| | a | B | C | d | E | f | G | h | k | l | L | R | T | u | V | w | b | t |
| FC 56 | 90 | 71 | 36 | 9 j6 | 20 | 194 | 95 | 55 | 6 | 89 | 109 | 114 | 20 | 7 | 73 | 73 | 3 | 10.2 |
| FC 63 | 100 | 80 | 40 | 11 j6 | 23 | | 100 | 63 | 7 | 103 | 120 | 128 | 28 | 7 | 80 | 80 | 4 | 12.5 |
| FC 71 | | 90 | 45 | 14 J6 | 30 | 255 | 105 | 71 | 7 | 103 | 132 | 142 | 28 | | 80 | 80 | 5 | 16 |
| FC 80 | 125 | 100 | 50 | 19 j6 | 40 | 292 | 135 | 80 | 10 | 130 | 162 | 162 | 35 | 10 | 105 | 105 | 6 | 21.5 |
| FC 90S | 140 | 100 | 56 | 24 j6 | 50 | 337 | 137 | 90 | 9 | 155 | 175 | 177 | 35 | | 105 | 105 | 8 | 27 |
| FC 90L | | 125 | | | | | | | | | | | | | | | | |
| FC 100L | 150 | 140 | 63 | 28 j6 | 60 | 386 | 147 | 100 | | 175 | 199 | 202 | 50 | 14 | 105 | 105 | 8 | 31 |
| FC 112M | 190 | 140 | 70 | 28 j6 | 60 | 393 | 165 | | | 180 | 220 | 230 | 55 | 15 | 115 | | 8 | 31 |
| FC 132S | 216 | 140 | 89 | 38 k6 | 80 | 493 | 185 | 132 | 11.5 | | 253 | 260 | 55 | 15 | 115 | | 10 | 41 |
| FC 132L | | 178 | | | | | | | | | | | | | | | | |

Wymiary montażowo - gabarytowe B14



| Typ silnika | Wymiary mm | | | | | | | | | | | | | | | | | | | |
|-----------------------|------------|----|-----|----|-----|-----|------|-----|-----|-----|--------|-----|-----|-----|----|----|-----|-----|----|------|
| | D | E | F | f | G | H | K | I | L | M | N | P | Q | R | T | U | V | W | b | t |
| FC 56 | 9 j6 | 20 | 194 | M5 | 95 | 55 | 6 | 89 | 109 | 65 | 50 j6 | 80 | 2.5 | 114 | 20 | 7 | 73 | 73 | 3 | 10.2 |
| FC 63 | 11 j6 | 23 | 221 | M5 | 100 | 63 | 7 | 103 | 120 | 75 | 60 j6 | 90 | 2.5 | 128 | 28 | 7 | 80 | 80 | 4 | 12.5 |
| FC 71 | 14 j6 | 30 | 255 | M6 | 105 | 71 | 7 | 105 | 132 | 85 | 70 j6 | 105 | 2.5 | 142 | 28 | 11 | 80 | 80 | 5 | 16 |
| FC 80 | 19 j6 | 40 | 292 | M6 | 135 | 80 | 10 | 130 | 162 | 100 | 80 j6 | 120 | 3 | 162 | 35 | 10 | 105 | 105 | 6 | 21.5 |
| FC 90S 90L | 24 j6 | 50 | 337 | M8 | 137 | 90 | 9 | 155 | 175 | 115 | 95 j6 | 140 | 3 | 177 | 35 | 11 | 105 | 105 | 8 | 27 |
| FC 100L | 28 j6 | 60 | 386 | M8 | 147 | 100 | 12 | 175 | 199 | 130 | 110 j6 | 160 | 3.5 | 202 | 50 | 14 | 105 | 105 | 8 | 31 |
| FC 112M | 28 j6 | 60 | 393 | M8 | 165 | 112 | 11 | 180 | 220 | 130 | 110 j6 | 160 | 3.5 | 230 | 55 | 15 | 115 | 122 | 8 | 31 |
| FC 132S | 38 k6 | 80 | 493 | M8 | 185 | 132 | 11.5 | 222 | 253 | 130 | 110 j6 | 160 | 3.5 | 258 | 55 | 15 | 115 | 122 | 10 | 41 |

